

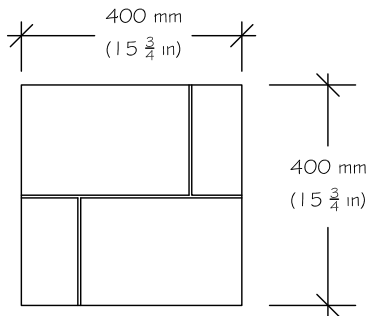
Quadral[®] Slab

Packaging and typical layout

PACKAGING

Units per row	6	
Row per cube	13	
Quantity per cube	78	
Area per unit	0.16 m ²	1.72 ft ²
Area per layer	0.96 m ²	10.32 ft ²
Area per cube	12.48 m ²	134.35 ft ²
Weight per unit	18 kg	40 lb
Weight per cube	1434 kg	3155 lb

DIMENSIONS



Thickness: 50 mm (2 in)
The dimensions are real

TYPICAL LAYOUT

